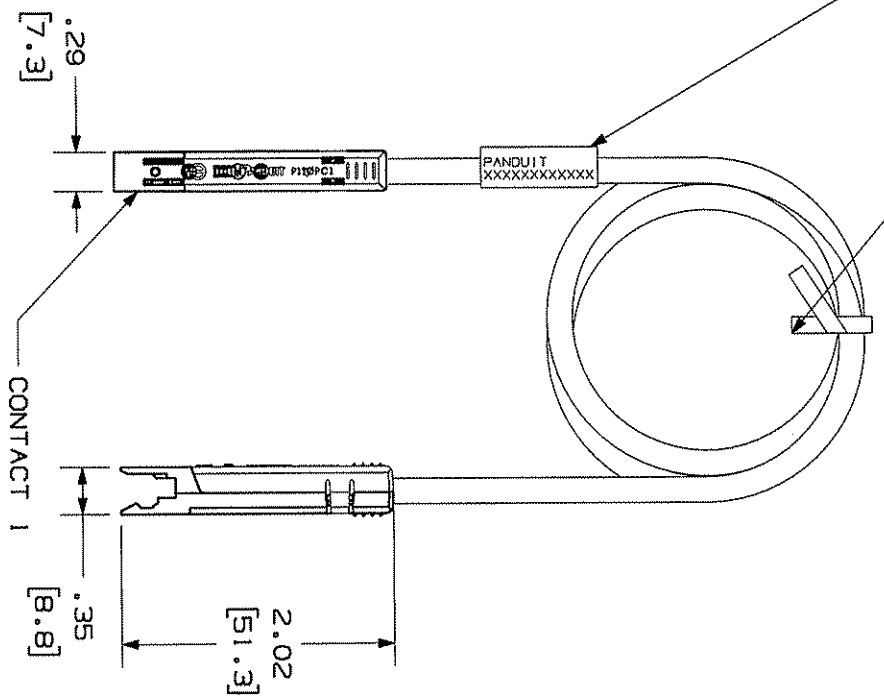


THIS COPY IS PROVIDED ON A RESTRICTED BASIS AND IS NOT TO BE USED IN ANY WAY DETRIMENTAL TO THE INTERESTS OF PANDUIT CORP.

| CONTACT | CABLE WIRE COLOR |
|---------|------------------|
| 1 | WHITE/BLUE |
| 2 | BLUE |



- NOTES:
1. SEE CURRENT CATALOG FOR VARIOUS APPLICATIONS AND TO INDICATE PACKAGE QUANTITY. THE PATCH CORDS CAN BE USED WITH PAN-PATCH CONNECTING BLOCKS.
 2. USED WITH PAN-PATCH CONNECTING BLOCKS. PROPER WIRE SEQUENCE AND CONNECTIONS ARE REQUIRED TO SECURE THE JACKET AND CONNECTOR. THE POSITION OF TERMINATION WHICH MINIMIZES WIRE STRESS IS THE INTERGRAL STRAIN RELIEF MINIMIZES STRESS ON WIRES DURING DISCONNECTION.
 3. POLARIZED TO PREVENT REVERSE INSTALLATION TO CONNECTOR BLOCK.
 4. CATEGORY 3 UNSHIELDED TWISTED PAIR CABLE WITH 24AWG STRANDED TINNED COPPER CONDUCTOR.
 5. DIMENSIONS IN PARENTHESES ARE IN METRIC.

| PANDUIT P/N | MIN. CABLE LENGTH | WEIGHT |
|--------------|-------------------|------------------------------------|
| P110PC1162Y | 2 FT. | .24 LB/10 PCS (112.1 g/10 PCS) |
| P110PC1163Y | 3 FT. | .31 LB/10 PCS (144.5 g/10 PCS) |
| P110PC1164Y | 4 FT. | .38 LB/10 PCS (176.9 g/10 PCS) |
| P110PC1165Y | 5 FT. | .45 LB/10 PCS (209.3 g/10 PCS) |
| P110PC1166Y | 6 FT. | .52 LB/10 PCS (241.7 g/10 PCS) |
| P110PC1167Y | 7 FT. | .59 LB/10 PCS (274.1 g/10 PCS) |
| P110PC1168Y | 8 FT. | .66 LB/10 PCS (306.5 g/10 PCS) |
| P110PC1169Y | 9 FT. | .73 LB/10 PCS (338.9 g/10 PCS) |
| P110PC11612Y | 12 FT. | .93 LB/10 PCS (430.1 g/10 PCS) |
| P110PC11615Y | 15 FT. | 1.15 LB/10 PCS (533.3 g/10 PCS) |
| P110PC11618Y | 18 FT. | 1.38 LB/10 PCS (630.5 g/10 PCS) |
| P110PC11619Y | 19 FT. | 1.48 LB/10 PCS (685.1 g/10 PCS) |
| P110PC11616Y | 18 FT. | .5M |
| P110PC11617Y | 19 FT. | .5M |
| P110PC11618Y | 20 FT. | .5M |
| P110PC11619Y | 21 FT. | .5M |
| P110PC11620Y | 22 FT. | .5M |
| P110PC11621Y | 23 FT. | .5M |
| P110PC11622Y | 24 FT. | .5M |
| P110PC11623Y | 25 FT. | .5M |
| P110PC11624Y | 26 FT. | .5M |
| P110PC11625Y | 27 FT. | .5M |
| P110PC11626Y | 28 FT. | .5M |
| P110PC11627Y | 29 FT. | .5M |
| P110PC11628Y | 30 FT. | .5M |
| P110PC11629Y | 31 FT. | .5M |
| P110PC11630Y | 32 FT. | .5M |
| P110PC11631Y | 33 FT. | .5M |
| P110PC11632Y | 34 FT. | .5M |
| P110PC11633Y | 35 FT. | .5M |
| P110PC11634Y | 36 FT. | .5M |
| P110PC11635Y | 37 FT. | .5M |
| P110PC11636Y | 38 FT. | .5M |
| P110PC11637Y | 39 FT. | .5M |
| P110PC11638Y | 40 FT. | .5M |
| P110PC11639Y | 41 FT. | .5M |
| P110PC11640Y | 42 FT. | .5M |
| P110PC11641Y | 43 FT. | .5M |
| P110PC11642Y | 44 FT. | .5M |
| P110PC11643Y | 45 FT. | .5M |
| P110PC11644Y | 46 FT. | .5M |
| P110PC11645Y | 47 FT. | .5M |
| P110PC11646Y | 48 FT. | .5M |
| P110PC11647Y | 49 FT. | .5M |
| P110PC11648Y | 50 FT. | .5M |
| P110PC11649Y | 51 FT. | .5M |
| P110PC11650Y | 52 FT. | .5M |
| P110PC11651Y | 53 FT. | .5M |
| P110PC11652Y | 54 FT. | .5M |
| P110PC11653Y | 55 FT. | .5M |
| P110PC11654Y | 56 FT. | .5M |
| P110PC11655Y | 57 FT. | .5M |
| P110PC11656Y | 58 FT. | .5M |
| P110PC11657Y | 59 FT. | .5M |
| P110PC11658Y | 60 FT. | .5M |
| P110PC11659Y | 61 FT. | .5M |
| P110PC11660Y | 62 FT. | .5M |
| P110PC11661Y | 63 FT. | .5M |
| P110PC11662Y | 64 FT. | .5M |
| P110PC11663Y | 65 FT. | .5M |
| P110PC11664Y | 66 FT. | .5M |
| P110PC11665Y | 67 FT. | .5M |
| P110PC11666Y | 68 FT. | .5M |
| P110PC11667Y | 69 FT. | .5M |
| P110PC11668Y | 70 FT. | .5M |
| P110PC11669Y | 71 FT. | .5M |
| P110PC11670Y | 72 FT. | .5M |
| P110PC11671Y | 73 FT. | .5M |
| P110PC11672Y | 74 FT. | .5M |
| P110PC11673Y | 75 FT. | .5M |
| P110PC11674Y | 76 FT. | .5M |
| P110PC11675Y | 77 FT. | .5M |
| P110PC11676Y | 78 FT. | .5M |
| P110PC11677Y | 79 FT. | .5M |
| P110PC11678Y | 80 FT. | .5M |
| P110PC11679Y | 81 FT. | .5M |
| P110PC11680Y | 82 FT. | .5M |
| P110PC11681Y | 83 FT. | .5M |
| P110PC11682Y | 84 FT. | .5M |
| P110PC11683Y | 85 FT. | .5M |
| P110PC11684Y | 86 FT. | .5M |
| P110PC11685Y | 87 FT. | .5M |
| P110PC11686Y | 88 FT. | .5M |
| P110PC11687Y | 89 FT. | .5M |
| P110PC11688Y | 90 FT. | .5M |
| P110PC11689Y | 91 FT. | .5M |
| P110PC11690Y | 92 FT. | .5M |
| P110PC11691Y | 93 FT. | .5M |
| P110PC11692Y | 94 FT. | .5M |
| P110PC11693Y | 95 FT. | .5M |
| P110PC11694Y | 96 FT. | .5M |
| P110PC11695Y | 97 FT. | .5M |
| P110PC11696Y | 98 FT. | .5M |
| P110PC11697Y | 99 FT. | .5M |
| P110PC11698Y | 100 FT. | .5M |

DRAWING FILENAME: M02479J0_DC253_00A_PRT
 TITLE: CATEGORY 3 110 PATCHCORD CUSTOMER DRAWING
 SIZE: A

PANDUIT R
 CORP.
 TINLEY PARK, IL 60477

ALL DIMENSIONS ARE GIVEN IN INCHES, UNLESS OTHERWISE SPECIFIED.
 DIMENSIONAL TOLERANCES ARE:
 1.X1 ± .031(.8) 1.XXX ± .010(.3)
 1.XX ± .010(.3) ANGLES ±

REVIEW DRAWING NUMBERS

| REV | DATE | BY | CHK | DESCRIPTION | ECN | R | CUST | SUP | OTH |
|-----|---------|-----|-----|-------------------------|-----------|---|------|-----|-----|
| R | 3-17-06 | NER | NER | RELEASED TO PRODUCTION. | 02479-253 | | | | |

| DATE | DATE | DATE |
|---------|---------|---------|
| 3-17-06 | 3-17-06 | 3-17-06 |

DRAWING NO. P110PC1***Y
 02479-253